

# STREET LIGHT-SL

## Datasheet



**PRELIMINARY**

SL is a high performance series street light providing ultra-flexible lighting solution. The luminaire is specifically designed with long-lasting performance, with high-pressure die-casting aluminum, IK08 tempered glass and superior heat-sink management. It is designed with ZHAGA and NEMA socket to provide numerous control options, available with 0-10V, DALI or custom dimming profile.

### Benefits

#### Flexible options

- Various wattage ranges
- Various lighting distribution options
- Color temperature from 2700K to 5700K

#### Robust and reliable

- Lumileds, Edison or Bridgelux LED
- L70 above 50,000hrs lifetime
- IP66, IK08 rated

#### Safe and efficient

- Eye safety according to IEC62778
- Automatic power off when opening cover
- High system efficacy up to 140 lm/W
- Safe electric disconnecter
- Post-top or side-entry mounting options
- Compact and easy installation

### Applications

- Urban/rural roads
- Parking lots
- Streets
- Public areas



## Table of Contents

<b>Technical Data</b> .....	3
<b>Features</b> .....	4
<b>Accessories</b> .....	5
<b>Dimensions</b> .....	7
<b>Packagin information</b> .....	6
<b>Light Distribution Curve</b> .....	8
<b>User Manual</b> .....	9
<b>Ordering Codes</b> .....	10
<b>Revision History</b> .....	11

# STREET LIGHT-SL

## Technical Data

### Optical Specifications

	SL2-80W	SL2-100W	SL4-150W	SL4-180W	SL6-200W	SL6-240W
<b>Luminous Flux</b>	11200Lm	14000Lm	21000Lm	25200Lm	28000Lm	33600Lm
<b>Efficacy</b>	140Lm/W*					
<b>CCT</b>	2700K, 3000K, 4000K, 5700K					
<b>CRI</b>	≥70Ra					
<b>SDCM</b>	≤6					
<b>Beam Angle</b>	Type I S, Type II M, Type III M					

### Electrical and Mechanical Specifications

<b>Input Voltage</b>	AC100-240V 50-60Hz					
<b>Power Consumption</b>	80W	100W	150W	180W	200W	240W
<b>Power Factor</b>	0.95					
<b>Surge Protection</b>	L-N: 5KV , L/N-G:10KV **					
<b>Dimensions</b>	<b>Length</b>	578mm	578mm	770mm	770mm	793mm
	<b>Width</b>	235mm	235mm	235mm	235mm	340mm
<b>Weight</b>	4.8kg	4.8kg	6.4kg	6.4kg	8.3kg	8.3kg
<b>Lens</b>	UV-resistant polycarbonate					
<b>Cover</b>	Tempered glass					
<b>Housing</b>	Die Casting Aluminum, RAL9023					
<b>LED Driver</b>	MOSO, PHILIPS					
<b>LED Brand/Model</b>	Edison, Lumileds, Bridgelux 3030/5050					

### System Specifications

<b>Power</b>	80W	100W	150W	180W	200W	240W
<b>Dimmable</b>	0-10V, Dali, PWM, Timing					
<b>Installation</b>	Side entry or post-top					
<b>Operating Temperature</b>	- 20 ~ + 45 ° C					
<b>Storage Humidity</b>	10% ~ 85%					
<b>Protection</b>	IP66, IK08					
<b>Lumen Maintenance</b>	Above 50,000 hours at L70					
<b>Safety Approval</b>	CE, CB, ENEC					

\*Efficiency rated at CCT 4000K and SMD 5050 LED

\*\*External SPD 10K/20KV optional

Due to the special conditions of manufacturing process of LED, the typical data of technical parameters can only reflect statistical figures and do not necessarily correspond to the actual

## STREET LIGHT-SL

### Features

#### Easy Access

Tool-free and upside opening for easy access to the electric compartment



#### Smart Upgrade

NEMA & ZHAGA receptacle for smart upgrade

#### Photometric Flexibility

Numerous optics options and LED SMD3030/5050



#### Safe Electric Disconnect

Immediate, automatic disconnection of power supply when opening

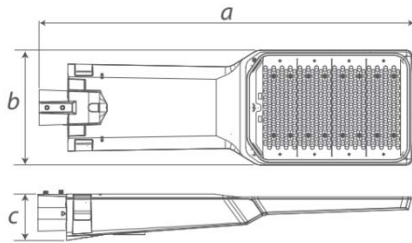
## STREET LIGHT-SL Accessories

		<p>48mm adaptor 76mm adaptor</p>
		<p>10/20KV SPD</p>
		<p>Wiring Connector(IP66)</p>
		<p>Input cable 0.3/1/5m</p>
		<p>Zhaga connector</p>
		<p>NEMA receptacle</p>

		Photocell
		Shorting cap

## STREET LIGHT-SL

### Dimensions



### Dimensions

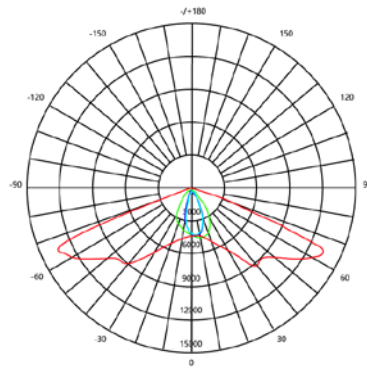
	SL2	SL4	SL6
a	578mm	770mm	793mm
b	235mm	235mm	340mm
c	95mm	95mm	107mm
Pole diameter	55~60mm	55~60mm	55~60mm
Pole diameter (with adaptor)	48~76mm	48~76mm	48~76mm

### Packaging Information

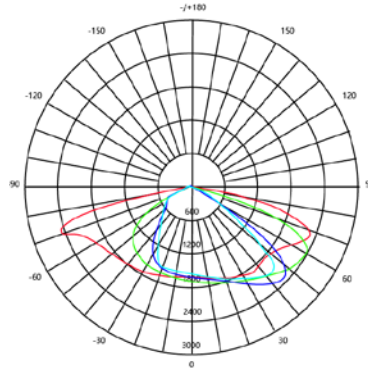
	SL2	SL4	SL6
Package dimension (mm)	645*290*160	830*290*160	840*395*172
N. Weight(kg)	4.8	6.4	8.3
G. Weight(kg)	5.6	7.4	9.3
Packing(pcs)	1pcs/carton	1pcs/carton	1pcs/carton



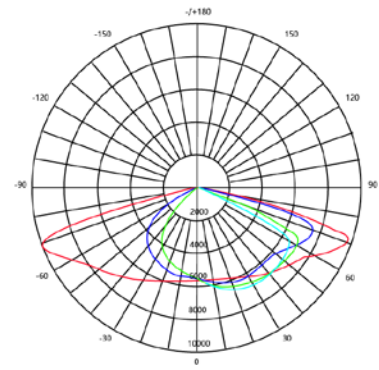
## STREET LIGHT-SL Light Distribution Curve



Type I S



Type II M



Type III M

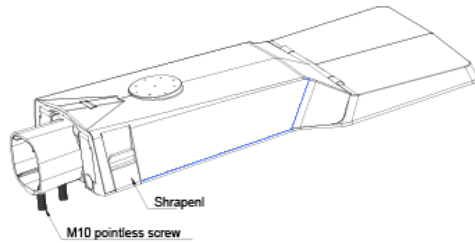
\*Other optical type is available according to special request.



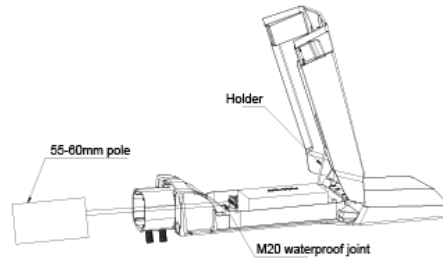
# STREET LIGHT-SL

## User Manual

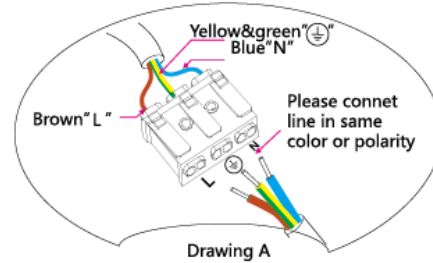
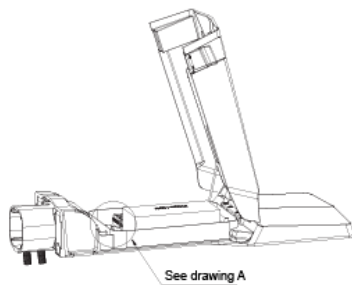
Step 1: Loosen the M10 hexagon nuts with a 5mm hexagon wrench on the opposite. Loosen the shrapnel on both sides and open the back cover (Make the poles against the back cover).



Step 2: Loosen the M20 nuts and waterproof joint with a 24mm wrench and a 27mm wrench, thread supply line through clamp and waterproof joint.

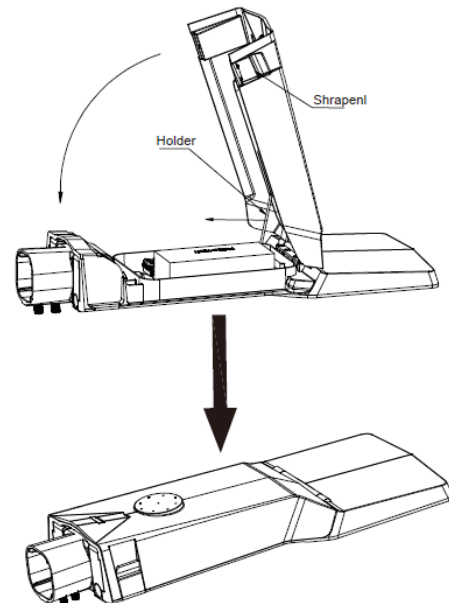
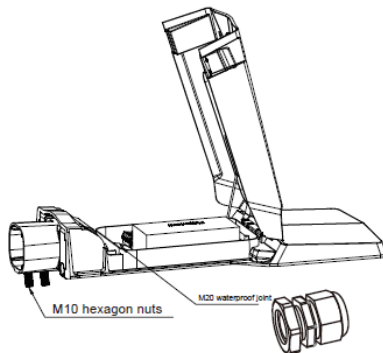


Step 3: Using the 3\*10mm<sup>2</sup> power lines which meets 60245IEC57 standard.



Step 5: Close the cover and press the cover firmly. The shrapnel will fix the the cover.

Step 4: Tighten the M10 pointless screw (The torque of the M10 should be 24.5N.M and then tighten the waterproof joint).



# STREET LIGHT-SL

## Ordering Codes

### Fixture

[EP7](#)   [SL2](#)   [P0](#)   [50](#)   [B](#)   [7](#)   [30](#)   [GR](#)   [99](#)  
 X1-X3   X4-X6   X7-X8   X9-X10   X11   X12   X13-X14   X15-X16   X17-X18

X1-X3		X4-X6		X7-X8		X9-X10		X11	
Code	Type	Code	Type	Code	Type	Code	Type	Code	Type
EP7	EEPL	SL2	STREET SL2	M0	Driver: MOSO	50	Power: 50W	B	Lens: TYPE II
		SL4	STREET SL4	P0	Driver: PHILIPS	80	Power: 80W	C	Lens: TYPE III
				P1	Driver:	A0	Power: 100W		
					PHILIPS+5050BL				
						A2	Power: 120W		
						A5	Power: 150W		
						A8	Power: 180W		
						B0	Power: 200W		
X12		X13-X14		X15-X16		X17-X18			
Code	Type	Code	Type	Code	Type	Code	Type		
7	CRI:70	30	CCT:3000K	GR	Color:Grey	01	Serial:Client1		
8	CRI:80	40	CCT:4000K			99	Neutral		
		57	CCT:5700K						

## STREET LIGHT-SL

### Revision History

---

<b>Versions</b>	<b>Modification</b>	<b>Date</b>
1.0	NEW	2019.10
1.1	Add accessories	2019.11
1.2	Update logo	2020.3
1.3	Add SL6	2020.3
1.4	*Efficiency rated at CCT 4000K and SMD 5050 LED	2020.3
1.5	SL2-80W	2020.3
1.6	Add Pole diameter (with adaptor)	2020.6